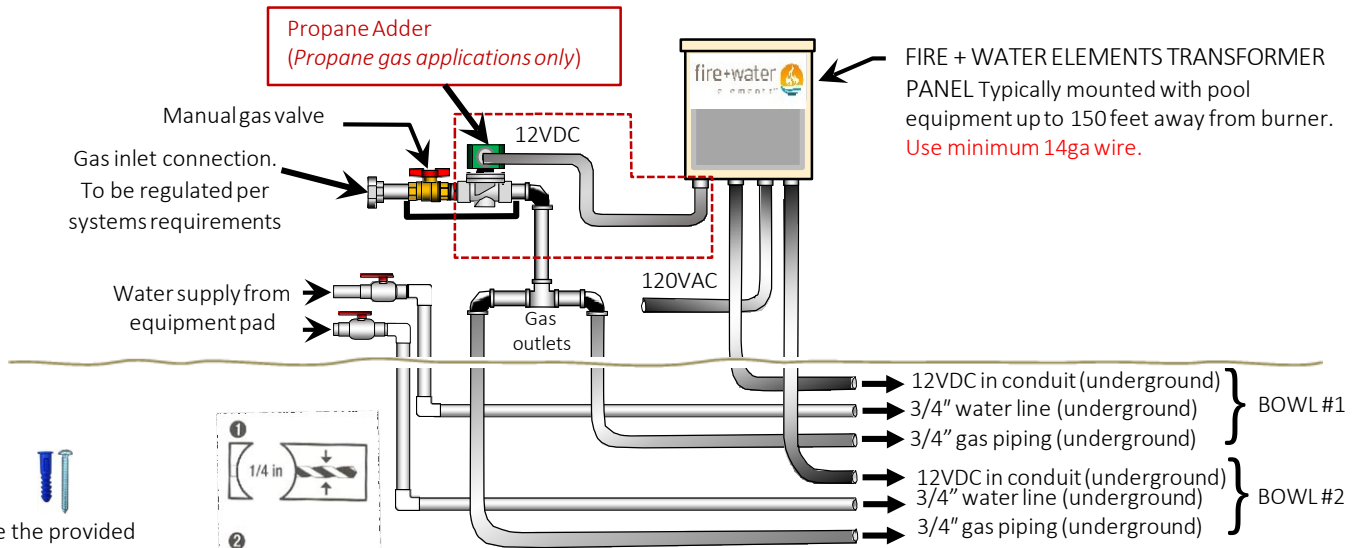
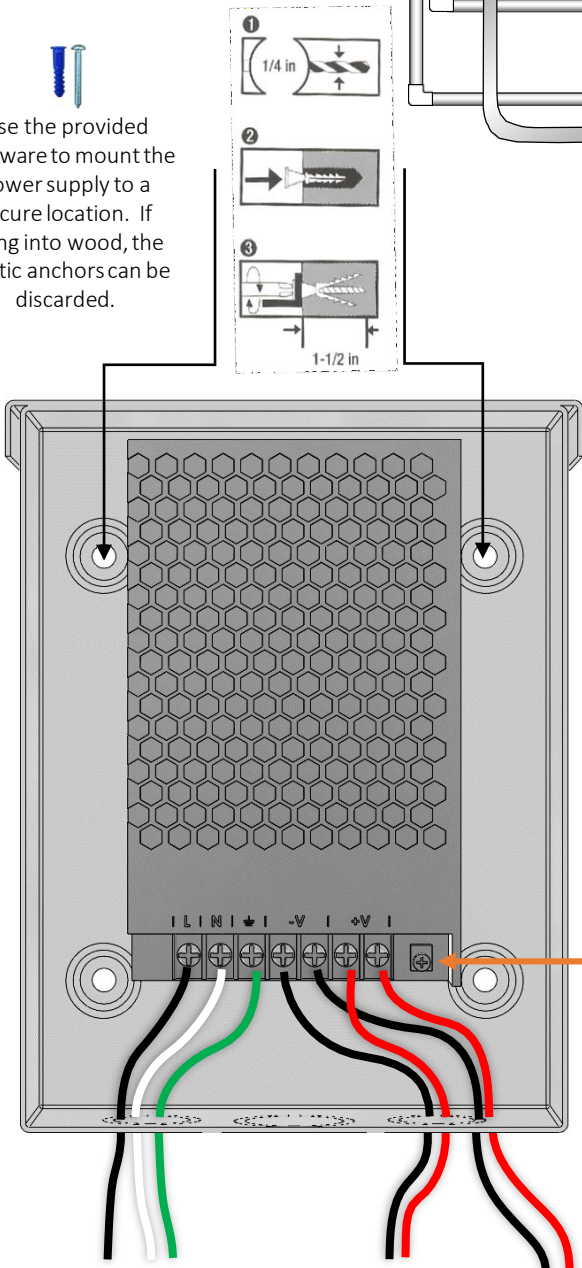


EQUIPMENT PAD – WATER, GAS & ELECTRICAL



Use the provided hardware to mount the power supply to a secure location. If going into wood, the plastic anchors can be discarded.



POWER SUPPLY PANEL WIRING

Diagram illustrates wiring two burners individually (in parallel). Power supply is capable of powering up to four burner units. Burners can be wired in parallel or in series (*daisy chain*). Individual wiring is optimal and recommended. In series (*daisy chain*) wiring may cause a slight delay in burner ignition down the line. It is highly recommended to use color coded wiring for ease of installation and prevention of improper connections. DO NOT USE TO POWER ANYTHING OTHER THAN PEBBLE TECHNOLOGY BURNERS.

Wire 120VAC as follows:

- 120 hot (black wire) to L
- Neutral (white wire) to N
- Ground (green wire) to G

Wire 12VDC to burners as follows:

- Red wire to +V
- Black wire to -V
- Ground per instruction manual (to ground lug on chassis)



IMPORTANT NOTE

Put a meter on the power supply to confirm there is a 12 volt output. Then confirm that there is 10-14VDC at each burner.

If voltage at a burner is not between 10-14VDC, then slightly turn the voltage adjuster with a Phillips head screwdriver to bring within range. The voltage adjuster is located on the bottom right corner of the power supply.

ATTENTION:

Check all wiring before turning on circuits to power supply and to burners. Incorrect wiring may cause damage to power supply or burners and could void the warranty.

(Power supply can power up to four burners— each screw on the unit can accept up to two wires.)